

6

5

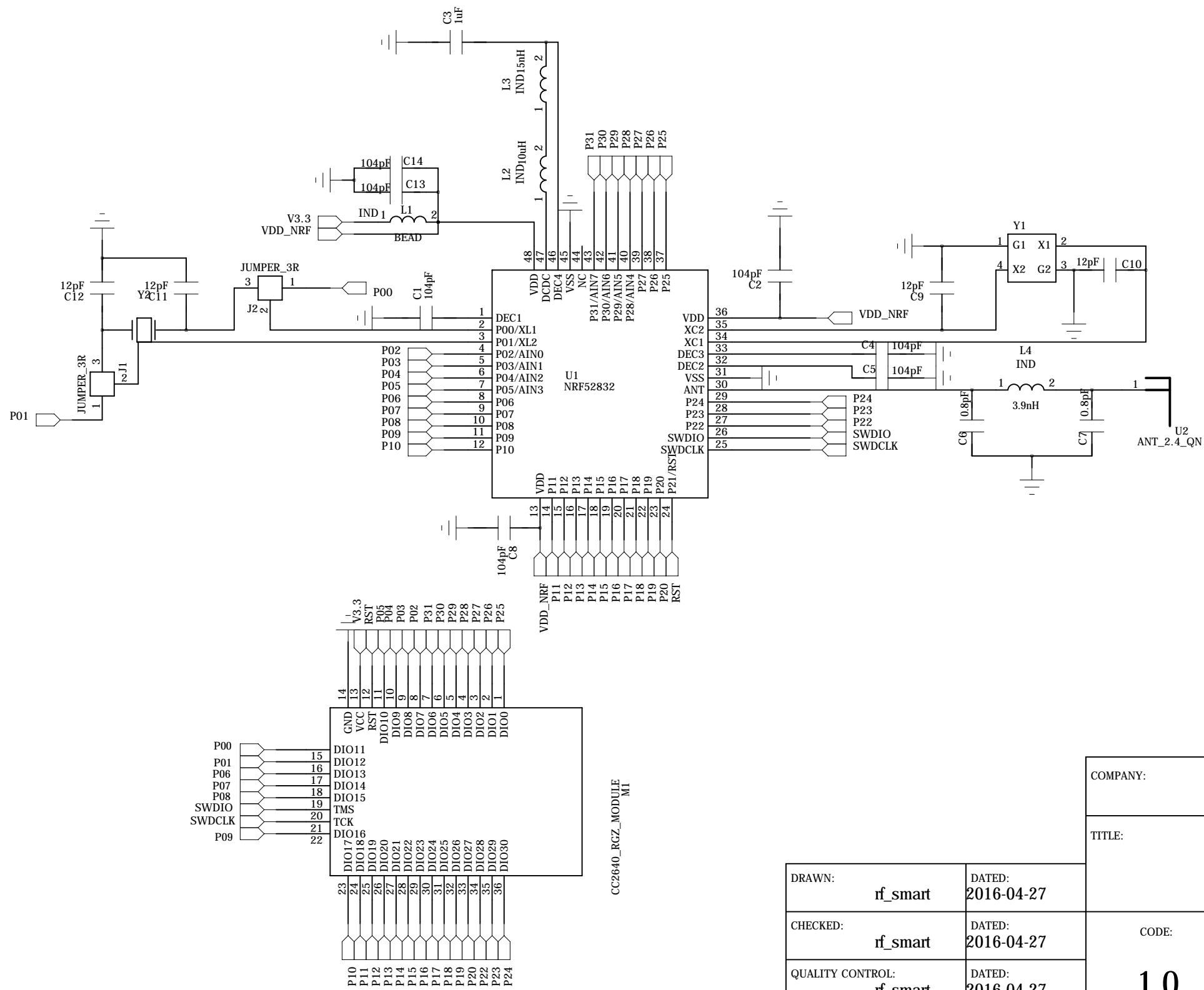
4

3

2

1

REVISION RECORD			
LTR	ECO NO:	APPROVED:	DATE:



D

D

C

C

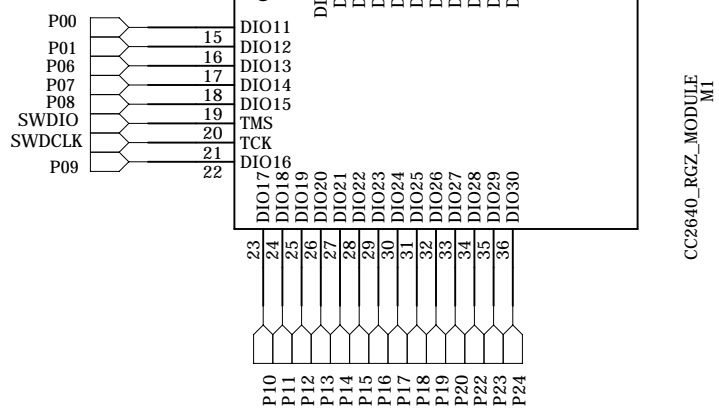
B

B

A

A

COMPANY:				rf-smart.taobao.com			
TITLE:				NRF52832 Core Board V1.0			
DRAWN:	rf_smart	DATED:	2016-04-27	CODE:	SIZE:	DRAWING NO:	REV:
CHECKED:	rf_smart	DATED:	2016-04-27	1.0	B	1.0	1.0
QUALITY CONTROL:	rf_smart	DATED:	2016-04-27				
RELEASED:	rf_smart	DATED:	2016-04-27				
SCALE: 1						SHEET: 1 of 1	



CC2640_RGZ_MODULE_M1